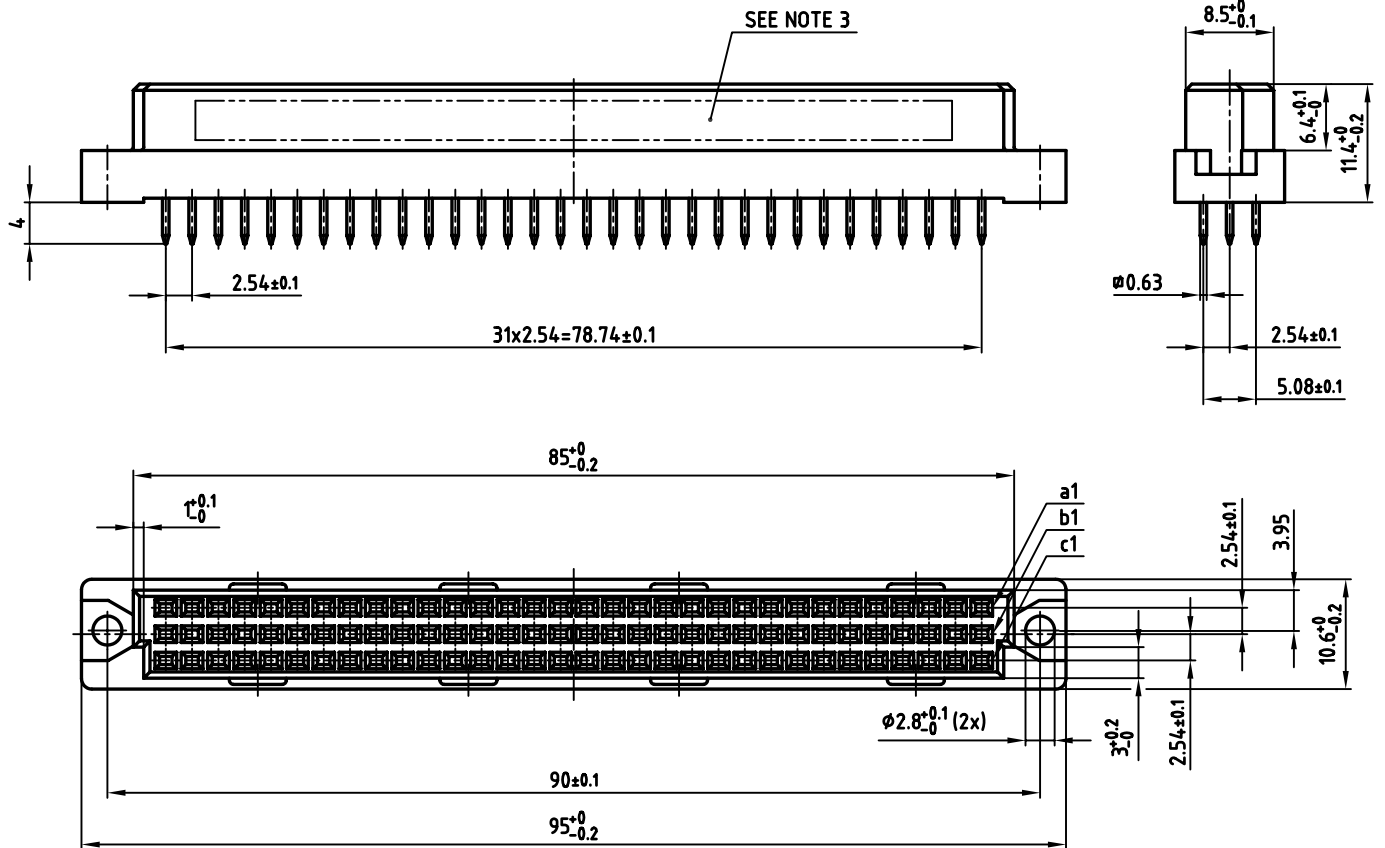


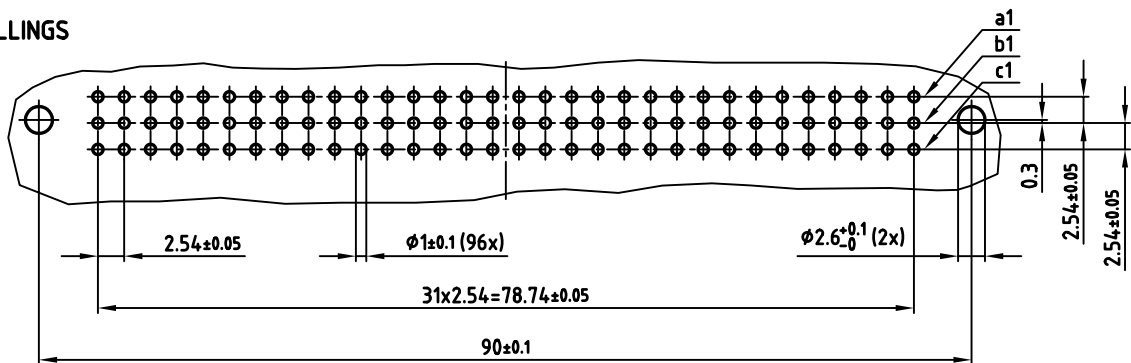
used for: DIN EN 60603-2 TYPE "C"



(b) NOTES:

1. INSULATORS: PBT UL 94 V-0, GREY
2. CONTACTS: COPPER ALLOY
PLATING: GOLD OVER NICKEL
50 MATING CYCLES
3. CONNECTOR IS PART MARKED: 122A10309X CONEC ABC

P.C.B. HOLE DRILLINGS



APPROVAL # FREIGABE # DEBLOCAGE # AUTORIZACION # APPROVAL

CUSTOMER APPROVAL DATE:

NAME: TITLE:

COMPANY NAME:

APPROVAL # FREIGABE # DEBLOCAGE # AUTORIZACION # APPROVAL

THIS DRAWING MAY NOT BE COPIED OR REPRODUCED IN ANY WAY, AND MAY NOT BE PASSED ON TO A THIRD PARTY WITHOUT WRITTEN PERMISSION. OWNERSHIP AND COPYRIGHT OF CONEC GmbH DO NOT ALTER CAD DRAWING BY HAND

rev.	description	date	name
1 x b	Ä 2535	17.07.2006	Lehmen
a	Origin		

1994	date	name
drawn	10.05.	Mickenbecker
appd.	10.05.	Barcinski
norm	DIN EN 60603-2	
d-old		

tolerance: dim. in mm

scale: 2:1

material: SEE NOTES

title: FEMALE CONNECTOR TYPE "C"
96pos. SOLDER PIN 4mm

dwg no: AutoCAD 2006 DIN-A

12V11A9A 3 sh:1/1

part no: 122A10309X

6

5

4

2

1